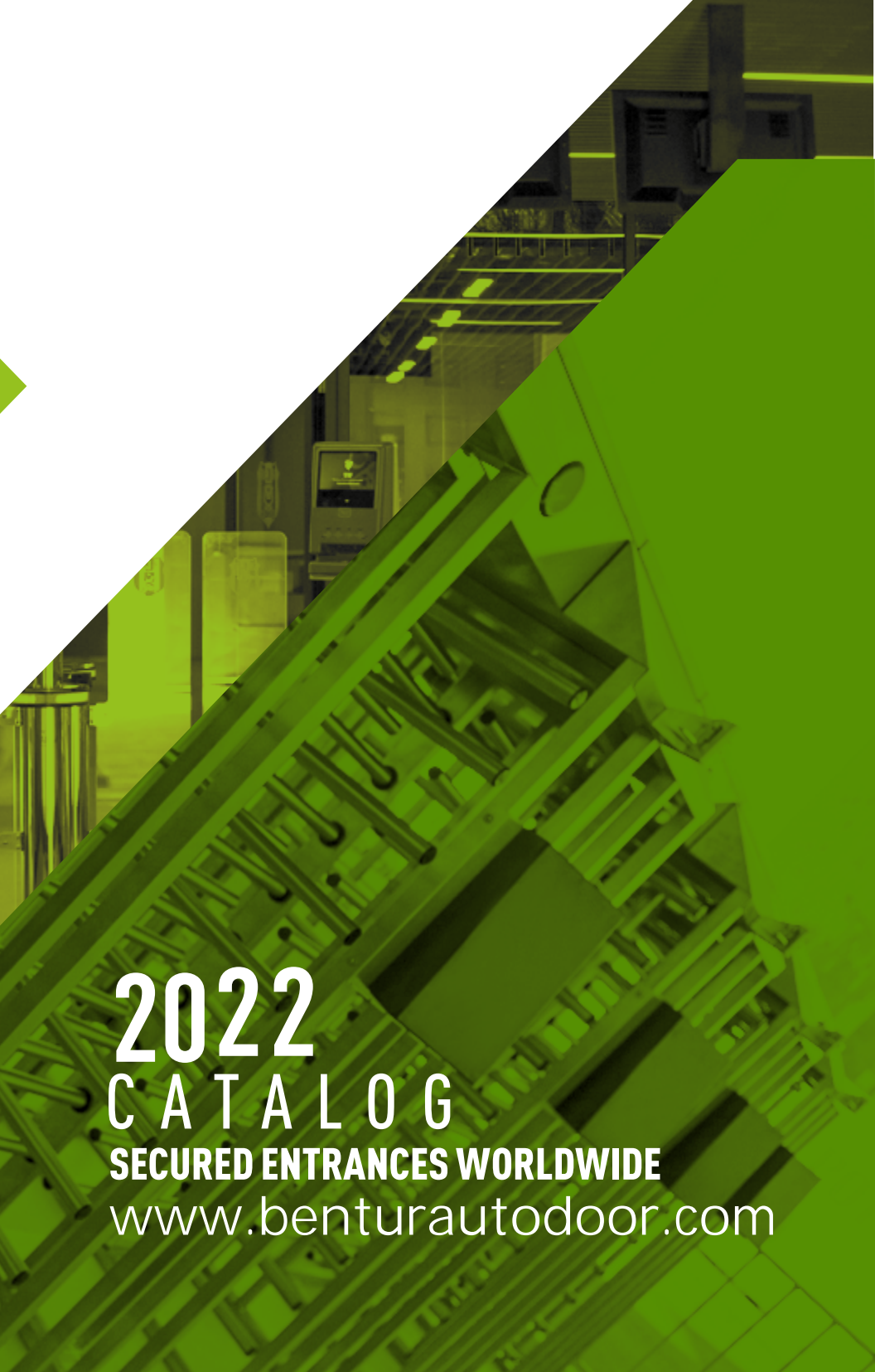




BENTUR

AUTOMATIC DOOR SYSTEM

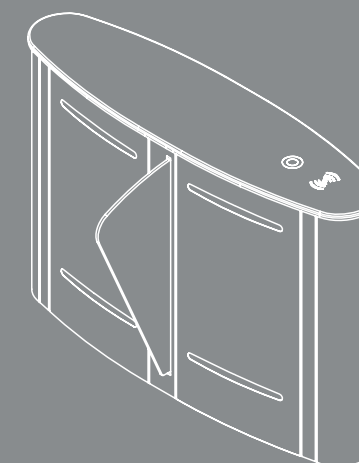
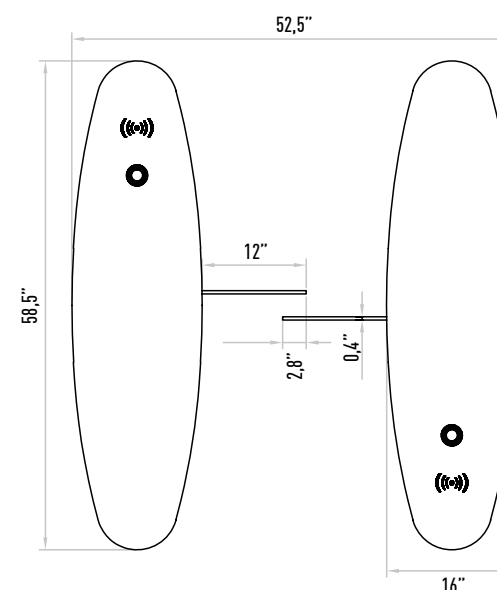
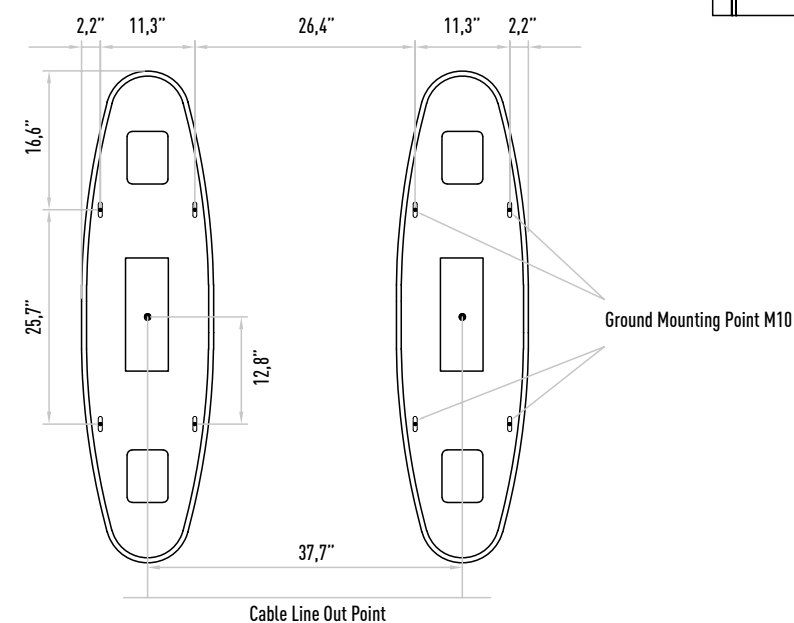
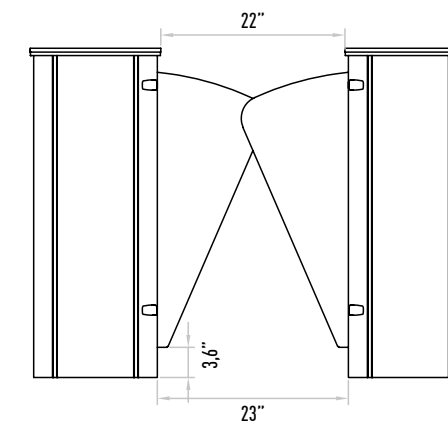
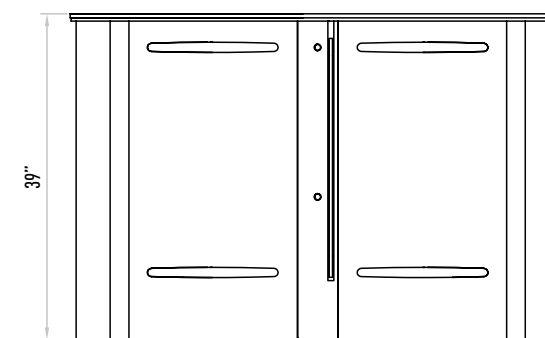


2022
CATALOG
SECURED ENTRANCES WORLDWIDE
www.benturautodoor.com

BENTUR
AUTOMATIC DOOR SYSTEM

Istanbul Office:
Necip Fazıl Mahallesi Güney Sokak No:5 Kat:2 Yukari Dudullu - Istanbul

Phone Call: +90 216 540 16 63
Whatsup : +90 553 170 50 26



SLP 200 SPEED GATE TURNSTILE

Operation

Controlled or control-free entrance/exit in both directions.

Chassis

AISI 304 quality stainless steel. Optional: Black stainless steel.

Wing

Angular winged, 10 mm tempered glass. Optional: Smoke colored glass.

Upper Table

10 mm black tempered glass. Optional: Wood.

Functions

Operates bidirectionally and allows the passage of a single person only with its microprocessor control. Electronic passage memory feature saves in memory card swipes that occur before a passage is completed and allows them to pass without closing the wings. Optional: 2 x RS232 and 1 x RS485 communication ports.

Mechanism

With its adjustable mechanical torque control, the unit does not cause injury in the event of any jamming.

Sensors

8 reciprocal sensors in every corridor.

Emergency Mode

Turnstile switches to emergency mode upon the receipt of a signal from fire detection system and wings open. In case of power shortage, wings automatically switch to open position with the power supplied from the accumulator (Fail Safe).

Safety Level Setting

With 4 security levels that can be defined as desired by the customer, turnstile is able to detect unauthorized passes and passes in the opposite direction and prevents or notifies, with audio or discreetly.

Indicator

Operating Voltage

100-230 VAC. 47-60 Hz

Power Consumption

84W during passage, 10W during standby (For two wings).

Operating Temperature

0° / +70°

Passage Speed

~40 persons / minute.

Passage Width

56 cm

Weight

~138 kg (Single wing)

Security Level

Deterrent.

Areas of Use

Suitable for indoor use.

Accessories

Logo engraving. Sticker. Remote control unit. Stainless steel reader apparatus. Meter. Button control unit. Stainless steel reader leg. Stainless steel bottom plate.